



# Precautions

## Safety Instructions • English



This symbol is intended to alert the user of important operating and maintenance (servicing) instructions in the literature provided with the equipment.



This symbol is intended to alert the user of the presence of uninsulated dangerous voltage within the product's enclosure that may present a risk of electric shock.

## Caution

**Read Instructions** • Read and understand all safety and operating instructions before using the equipment.

**Retain Instructions** • The safety instructions should be kept for future reference.

**Follow Warnings** • Follow all warnings and instructions marked on the equipment or in the user information.

**Avoid Attachments** • Do not use tools or attachments that are not recommended by the equipment manufacturer because they may be hazardous.

## Consignes de Sécurité • Français



Ce symbole sert à avertir l'utilisateur que la documentation fournie avec le matériel contient des instructions importantes concernant l'exploitation et la maintenance (réparation).



Ce symbole sert à avertir l'utilisateur de la présence dans le boîtier de l'appareil de tensions dangereuses non isolées posant des risques d'électrocution.

## Attention

**Lire les instructions** • Prendre connaissance de toutes les consignes de sécurité et d'exploitation avant d'utiliser le matériel.

**Conservier les instructions** • Ranger les consignes de sécurité afin de pouvoir les consulter à l'avenir.

**Respecter les avertissements** • Observer tous les avertissements et consignes marqués sur le matériel ou présentés dans la documentation utilisateur.

**Eviter les pièces de fixation** • Ne pas utiliser de pièces de fixation ni d'outils non recommandés par le fabricant du matériel car cela risquerait de poser certains dangers.

## Sicherheitsanleitungen • Deutsch



Dieses Symbol soll dem Benutzer in der im Lieferumfang enthaltenen Dokumentation besonders wichtige Hinweise zur Bedienung und Wartung (Instandhaltung) geben.



Dieses Symbol soll den Benutzer darauf aufmerksam machen, daß im Inneren des Gehäuses dieses Produktes gefährliche Spannungen, die nicht isoliert sind und die einen elektrischen Schock verursachen können, herrschen.

## Achtung

**Lesen der Anleitungen** • Bevor Sie das Gerät zum ersten Mal verwenden, sollten Sie alle Sicherheits- und Bedienungsanleitungen genau durchlesen und verstehen.

**Aufbewahren der Anleitungen** • Die Hinweise zur elektrischen Sicherheit des Produktes sollten Sie aufbewahren, damit Sie im Bedarfsfall darauf zurückgreifen können.

**Befolgen der Warnhinweise** • Befolgen Sie alle Warnhinweise und Anleitungen auf dem Gerät oder in der Benutzerdokumentation.

**Keine Zusatzgeräte** • Verwenden Sie keine Werkzeuge oder Zusatzgeräte, die nicht ausdrücklich vom Hersteller empfohlen wurden, da diese eine Gefahrenquelle darstellen können.

## Instrucciones de seguridad • Español



Este símbolo se utiliza para advertir al usuario sobre instrucciones importantes de operación y mantenimiento (o cambio de partes) que se desean destacar en el contenido de la documentación suministrada con los equipos.



Este símbolo se utiliza para advertir al usuario sobre la presencia de elementos con voltaje peligroso sin protección aislante, que puedan encontrarse dentro de la caja o alojamiento del producto, y que puedan representar riesgo de electrocución.

## Precaución

**Leer las instrucciones** • Leer y analizar todas las instrucciones de operación y seguridad, antes de usar el equipo.

**Conservar las instrucciones** • Conservar las instrucciones de seguridad para futura consulta.

**Obedecer las advertencias** • Todas las advertencias e instrucciones marcadas en el equipo o en la documentación del usuario, deben ser obedecidas.

**Evitar el uso de accesorios** • No usar herramientas o accesorios que no sean específicamente recomendados por el fabricante, ya que podrían implicar riesgos.

## Warning

**Power sources** • This equipment should be operated only from the power source indicated on the product. This equipment is intended to be used with a main power system with a grounded (neutral) conductor. The third (grounding) pin is a safety feature, do not attempt to bypass or disable it.

**Power disconnection** • To remove power from the equipment safely, remove all power cords from the rear of the equipment, or the desktop power module (if detachable), or from the power source receptacle (wall plug).

**Power cord protection** • Power cords should be routed so that they are not likely to be stepped on or pinched by items placed upon or against them.

**Servicing** • Refer all servicing to qualified service personnel. There are no user-serviceable parts inside. To prevent the risk of shock, do not attempt to service this equipment yourself because opening or removing covers may expose you to dangerous voltage or other hazards.

**Slots and openings** • If the equipment has slots or holes in the enclosure, these are provided to prevent overheating of sensitive components inside. These openings must never be blocked by other objects.

**Lithium battery** • There is a danger of explosion if battery is incorrectly replaced. Replace it only with the same or equivalent type recommended by the manufacturer. Dispose of used batteries according to the manufacturer's instructions.

## Avertissement

**Alimentations** • Ne faire fonctionner ce matériel qu'avec la source d'alimentation indiquée sur l'appareil. Ce matériel doit être utilisé avec une alimentation principale comportant un fil de terre (neutre). Le troisième contact (de mise à la terre) constitue un dispositif de sécurité: n'essayez pas de le contourner ni de la désactiver.

**Déconnexion de l'alimentation** • Pour mettre le matériel hors tension sans danger, déconnectez tous les cordons d'alimentation de l'arrière de l'appareil ou du module d'alimentation de bureau (s'il est amovible) ou encore de la prise secteur.

**Protection du cordon d'alimentation** • Acheminer les cordons d'alimentation de manière à ce que personne ne risque de marcher dessus et à ce qu'ils ne soient pas écrasés ou pincés par des objets.

**Réparation-maintenance** • Faire exécuter toutes les interventions de réparation-maintenance par un technicien qualifié. Aucun des éléments internes ne peut être réparé par l'utilisateur. Afin d'éviter tout danger d'électrocution, l'utilisateur ne doit pas essayer de procéder lui-même à des opérations car l'ouverture ou le retrait des couvercles risquent de l'exposer à de hautes tensions et autres dangers.

**Fentes et orifices** • Si le boîtier de l'appareil comporte des fentes ou des orifices, ceux-ci servent à empêcher les composants internes sensibles de surchauffer. Ces ouvertures ne doivent jamais être bloquées par des objets.

**Lithium Batterie** • Il a danger d'explosion s'il y a remplacement incorrect de la batterie. Remplacer uniquement avec une batterie du même type ou d'un type équivalent recommandé par le constructeur. Mettre au rebut les batteries usagées conformément aux instructions du fabricant.

## Vorsicht

**Stromquellen** • Dieses Gerät sollte nur über die auf dem Produkt angegebene Stromquelle betrieben werden. Dieses Gerät wurde für eine Verwendung mit einer Hauptstromleitung mit einem geerdeten (neutralen) Leiter konzipiert. Der dritte Kontakt ist für einen Erdschluss, und stellt eine Sicherheitsfunktion dar. Diese sollte nicht umgangen oder außer Betrieb gesetzt werden.

**Stromunterbrechung** • Um das Gerät auf sichere Weise vom Netz zu trennen, sollten Sie alle Netzkabel aus der Rückseite des Gerätes, aus der externen Stromversorgung (falls dies möglich ist) oder aus der Wandsteckdose ziehen.

**Schutz des Netzkabels** • Netzkabel sollten stets so verlegt werden, daß sie nicht im Weg liegen und niemand darauf treten kann oder Objekte darauf- oder unmittelbar dagegestellt werden können.

**Wartung** • Alle Wartungsmaßnahmen sollten nur von qualifiziertem Servicepersonal durchgeführt werden. Die internen Komponenten des Gerätes sind wartungsfrei. Zur Vermeidung eines elektrischen Schocks versuchen Sie in keinem Fall, dieses Gerät selbst öffnen, da beim Entfernen der Abdeckungen die Gefahr eines elektrischen Schlags und/oder andere Gefahren bestehen.

**Schlitze und Öffnungen** • Wenn das Gerät Schlitze oder Löcher im Gehäuse aufweist, dienen diese zur Vermeidung einer Überhitzung der empfindlichen Teile im Inneren. Diese Öffnungen dürfen niemals von anderen Objekten blockiert werden.

**Litium-Batterie** • Explosionsgefahr, falls die Batterie nicht richtig ersetzt wird. Ersetzen Sie verbrauchte Batterien nur durch den gleichen oder einen vergleichbaren Batterietyp, der auch vom Hersteller empfohlen wird. Entsorgen Sie verbrauchte Batterien bitte gemäß den Herstelleranweisungen.

## Advertencia

**Alimentación eléctrica** • Este equipo debe conectarse únicamente a la fuente/tipo de alimentación eléctrica indicada en el mismo. La alimentación eléctrica de este equipo debe provenir de un sistema de distribución general con conductor neutro a tierra. La tercera pata (puesta a tierra) es una medida de seguridad, no puede ser eliminada.

**Desconexión de alimentación eléctrica** • Para desconectar con seguridad la acometida de alimentación eléctrica al equipo, desenchufar todos los cables de alimentación en el panel trasero del equipo, o desenchufar el módulo de alimentación (si fuera independiente), o desenchufar el cable del receptáculo de la pared.

**Protección del cables de alimentación** • Los cables de alimentación eléctrica se deben instalar en lugares donde no sean pisados ni apretados por objetos que se puedan apoyar sobre ellos.

**Reparaciones/mantenimiento** • Solicitar siempre los servicios técnicos de personal calificado. En el interior no hay partes a las que el usuario deba acceder. Para evitar riesgo de electrocución, no intentar personalmente la reparación/ mantenimiento de este equipo, ya que al abrirlo o extraer las tapas puede quedar expuesto a voltajes peligrosos u otros riesgos.

**Ranuras y aberturas** • Si el equipo posee ranuras o orificios en su caja/alojamiento, es para evitar el sobrecalentamiento de componentes internos sensibles. Estas aberturas nunca se deben obstruir con otros objetos.

**Batería de litio** • Existe riesgo de explosión si esta batería se coloca en la posición incorrecta. Cambiar esta batería únicamente con el mismo tipo (o su equivalente) recomendado por el fabricante. Desachar las baterías usadas siguiendo las instrucciones del fabricante.

# FCC Class A Notice

Note: This equipment has been tested and found to comply with the limits for a Class A digital device, pursuant to part 15 of the FCC Rules. These limits are designed to provide reasonable protection against harmful interference when the equipment is operated in a commercial environment. This equipment generates, uses and can radiate radio frequency energy and, if not installed and used in accordance with the instruction manual, may cause harmful interference to radio communications. Operation of this equipment in a residential area is likely to cause harmful interference, in which case the user will be required to correct the interference at his own expense.

Note: This unit was tested with shielded cables on the peripheral devices. Shielded cables must be used with the unit to ensure compliance.

# Extron's Warranty

Extron Electronics warrants this product against defects in materials and workmanship for a period of three years from the date of purchase. In the event of malfunction during the warranty period attributable directly to faulty workmanship and/or materials, Extron Electronics will, at its option, repair or replace said products or components, to whatever extent it shall deem necessary to restore said product to proper operating condition, provided that it is returned within the warranty period, with proof of purchase and description of malfunction to:

## USA, Canada, South America, and Central America:

Extron Electronics  
1230 South Lewis Street  
Anaheim, CA 92805, USA

## Asia:

Extron Electronics, Asia  
135 Joo Seng Road, #04-01  
PM Industrial Bldg.  
Singapore 368363

## Europe, Africa, and the Middle East:

Extron Electronics, Europe  
Beeldschermweg 6C  
3821 AH Amersfoort  
The Netherlands

## Japan:

Extron Electronics, Japan  
Daisan DMJ Bldg. 6F,  
3-9-1 Kudan Minami  
Chiyoda-ku, Tokyo 102-0074  
Japan

This Limited Warranty does not apply if the fault has been caused by misuse, improper handling care, electrical or mechanical abuse, abnormal operating conditions or non-Extron authorized modification to the product.

*If it has been determined that the product is defective, please call Extron and ask for an Applications Engineer at (714) 491-1500 (USA), 31.33.453.4040 (Europe), 65.6383.4400 (Asia), or 81.3.3511.7655 (Japan) to receive an RA# (Return Authorization number). This will begin the repair process as quickly as possible.*

Units must be returned insured, with shipping charges prepaid. If not insured, you assume the risk of loss or damage during shipment. Returned units must include the serial number and a description of the problem, as well as the name of the person to contact in case there are any questions.

Extron Electronics makes no further warranties either expressed or implied with respect to the product and its quality, performance, merchantability, or fitness for any particular use. In no event will Extron Electronics be liable for direct, indirect, or consequential damages resulting from any defect in this product even if Extron Electronics has been advised of such damage.

Please note that laws vary from state to state and country to country, and that some provisions of this warranty may not apply to you.

# Table of Contents

---

<b>Chapter 1 • Introduction</b> .....	1-1
<b>About this Manual</b> .....	1-2
<b>About the RGB 190F and RGB 192</b> .....	1-2
<b>Features</b> .....	1-3
<b>Chapter 2 • Installation and Operation</b> .....	2-1
<b>Installation Overview</b> .....	2-2
<b>Mounting the Interfaces</b> .....	2-2
Tabletop placement .....	2-2
Under-desk mounting .....	2-2
Through-desk mounting .....	2-3
<b>Connections and Switches</b> .....	2-4
<b>Operation and Troubleshooting</b> .....	2-9
If the image does not appear or there is no sound .....	2-9
If the image is not displayed correctly .....	2-9
If the interface does not respond to controls .....	2-10
<b>Appendix • Reference Information</b> .....	A-1
<b>Specifications</b> .....	A-2
<b>Included Parts</b> .....	A-4
<b>Optional Accessories</b> .....	A-5
<b>Cables</b> .....	A-5



# 1 Chapter One

## **Introduction**

About this Manual

About the RGB 190F and RGB 192

Features

68-647-01 **Rev. B**  
Printed in the USA  
10 02

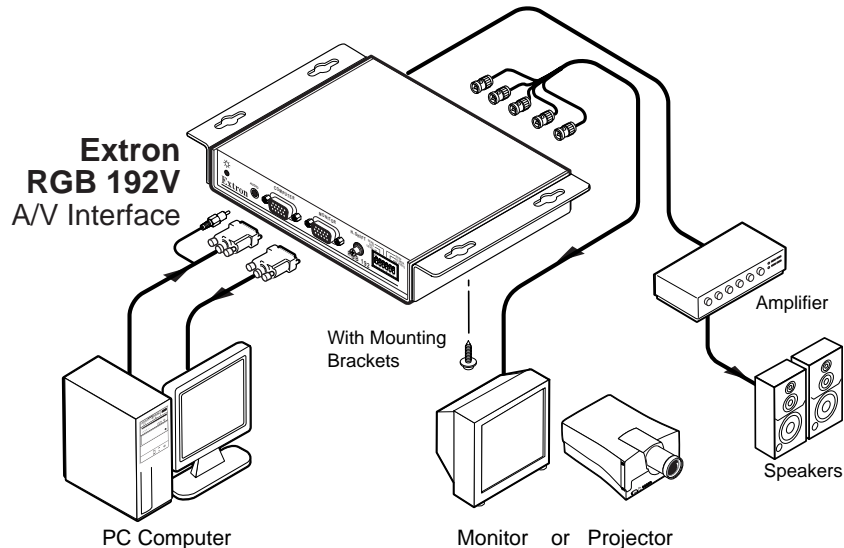
*All trademarks mentioned in this manual are the properties of their respective owners.*

## About this Manual

This manual contains information about the Extron RGB 190F universal interface and the RGB 192 universal interface with audio, detailing how to operate and configure them. The two interfaces are functionally identical, with the exception of the RGB 192's audio capabilities. Both interfaces are described in this manual; differences are noted where they exist.

## About the RGB 190F and RGB 192

The RGB 190F and RGB 192 are analog computer-video interfaces with 300 MHz (-3dB) video bandwidth and Digital Display Sync Processing™ (DDSP™). Figure 1-1 shows a typical RGB 192 application; the RGB 190F application is identical with the exception that it does not have audio capabilities. The interfaces accept a computer video and an unbalanced computer stereo audio input. They feature a local monitor output and an RGBHV, RGBS or RGsB output. The interfaces feature horizontal centering and level boost. The RGB 192 also features a balanced, line level stereo or mono audio output.



**Figure 1-1 — Typical RGB 192 application**

The interfaces are furniture mountable and have an external switching power supply for worldwide power compatibility.

There are three RGB 190F models: RGB 190FV for PC computers, RGB 190FM for Macintosh computers, and RGB

190FS for SGI computers. There are two RGB 192 models: RGB 192V for PC computers and RGB 192S for SGI computers. The models are identical with the exception of the video input cable supplied.

## Features

- Flexible mounting options** — The interface can be mounted under a desk or podium, or mounted through a desk or other furniture with optional mounting kits.
- Stereo audio (RGB 192 only)** — The interface outputs unbalanced PC stereo audio inputs as line level, balanced stereo (or, depending on a DIP switch position, mono) audio.
- Level (boost) control** — A front panel control compensates for signal losses from long cable runs.
- Horizontal centering control** — A front panel control allows a horizontal centering adjustment.
- Sync processing** — Using regular sync processing to allow centering control (H-shift) can create problems with some digital display devices as a result of the sync delay. Extron's DDSP (Digital Display Sync Processing), ensures proper displays without altering sync pulse timing or width. The sync processing type is selected via a front panel DIP switch.
- RGBHV, RGBS, or RGsB outputs** — Select the output format via cabling setup and front panel DIP switch.
- Serration pulse switch** — This DIP switch-selectable feature adds or strips the serration pulses from the output signal to make it compatible with digital display devices. Use the serration pulse switch if flagging or bending occurs at the top of the video display.



*Page intentionally left blank*

# Chapter Two

## **Installation and Operation**

Installation Overview

Mounting the Interfaces

Connections and Switches

Operation and Troubleshooting

# Installation and Operation

## Installation Overview

This is an overview of the installation process. You will find detailed installation and operation instructions in this chapter.

Install and set up the RGB 190F and RGB 192 interfaces following these basic steps:

- 1 Turn all of the equipment (computers, remote controls, interface, projector/monitor, local monitor, and speakers or other audio device) off. Disconnect the power cords from the power source.
- 2 Install the rubber feet for tabletop use, or install the appropriate brackets and furniture mount the interface. See *Mounting the Interfaces* in this chapter.
- 3 Connect the input (computer video and audio (**RGB 192 only**)) and outputs (display, local monitor, and audio (**RGB 192 only**)). See *Connections and Switches* in this chapter.
- 4 Set the front panel DIP switches. See *Connections and Switches* in this chapter as a guide.
- 5 Connect power cords and turn on the devices: output devices (projector, monitors, speakers (**RGB 192 only**)), interface, and the source computer.
- 6 Adjust horizontal centering and set the Level DIP switch to obtain the best picture.

## Mounting the Interfaces

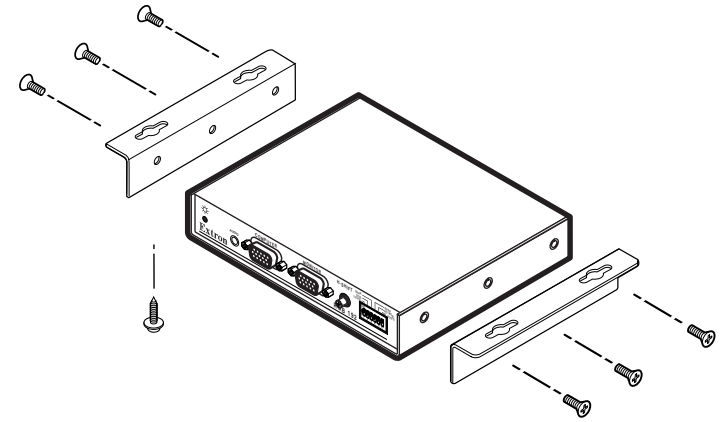
Select an installation option: tabletop placement, or under-desk or through-desk mounting. Follow the appropriate procedure on the next three pages.

### Tabletop placement

For tabletop or desktop placement only, install the self-adhesive rubber feet/pads (provided) onto the four corners of the bottom of the interface enclosure.

### Under-desk mounting

- 1 Secure the included under-desk mounting brackets (part #70-077-01) to the interface with the machine screws that are already installed in the side of the interface (figure 2-1).



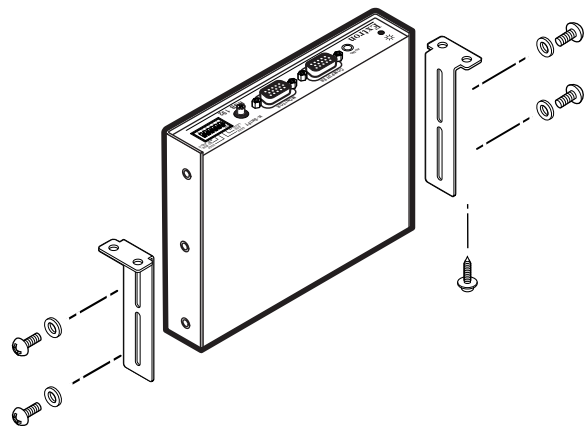
**Figure 2-1 — Under-desk mounting**

- 2 Hold the interface with attached brackets against the underside of the desk or other furniture. Mark the location of holes for screws on the desk.
- 3 Drill 1/4" (6.4 mm) deep, 3/32" (2 mm) diameter pilot holes in the table or desk at the marked screw locations from the underside/inside (concealed side) of the furniture, where the interface will be located.
- 4 Insert the four wood screws into the pilot holes. Fasten each screw into the installation surface until just less than 1/4" of the screw protrudes.
- 5 Align the installed screws with the slots in the mounting brackets, and place the interface against the surface, with the screws through the bracket slots.
- 6 Slide the interface slightly forward or back, then tighten all four screws to fasten it in place.

### Through-desk mounting

- 1 If rubber feet were installed on the interface, remove them.
- 2 Insert the machine screws that are already installed in the side of the interface through the slots in the through-desk mounting brackets (part #70-077-02), and loosely secure the brackets to the interface (figure 2-2).
- 3 Hold the interface with attached brackets against the underside of the desk/table. With a soft pencil mark the location of holes for screws on the desk. Mark the opening, approximately 1.0" x 5.7" (2.5 cm x 14.5 cm).





**Figure 2-2 — Through-desk mounting**

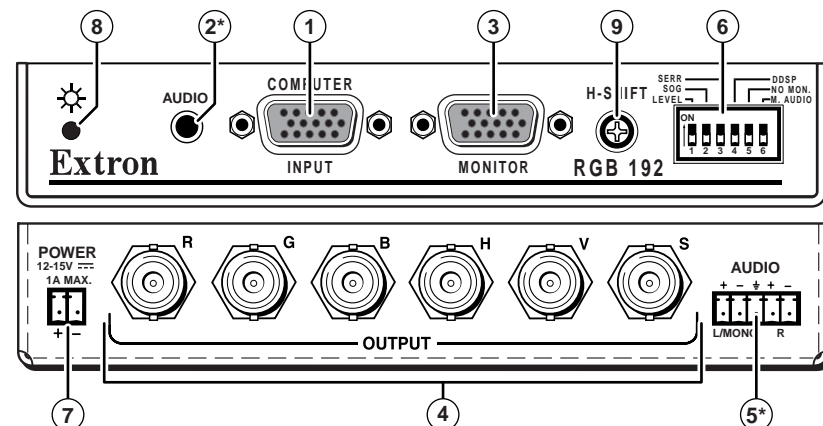
4. Cut out the material from the installation area with a jigsaw. Check the opening size by inserting the interface part way through the hole. If needed, use a saw, file or sandpaper to enlarge the hole. Smooth the edges of the hole with sandpaper.
5. Drill 1/4" (6.4 mm) deep, 3/32" (2 mm) diameter pilot holes in the underside or inside (concealed side) of the furniture where the interface will be located.
6. Secure the interface to the desk with the provided wood screws.
7. To adjust the height of the interface within the desk, slide the interface up or down to the desired position, then tighten the screws that attach the brackets to the interface.

## Connections and Switches

Figure 2-3 shows the front and rear panel of the RGB 192. With the exception of audio features (marked with an asterisk (\*) in the callout) the features described in this section apply to both models.

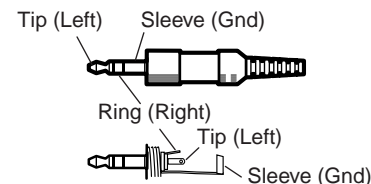
- ① **Computer Input** — Connect the analog computer-video source to this 15HD female connector.

**NOTE** Most laptop or notebook computers have an external video port, but they require special commands to output the video to that connector. Also, laptops' screens shut off once that port is activated. See the computer's user's guide for details, or contact Extron for a list of laptop keyboard commands.



**Figure 2-3 — RGB 192 front and rear panel features**

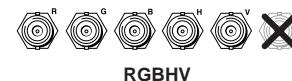
- ②\* **Audio input (RGB 192 only)** — Connect the unbalanced stereo audio source (such as a computer or a CD player) to this 3.5 mm mini stereo jack for unbalanced audio input. Figure 2-4 shows how to wire the audio jack.



**Figure 2-4 — Audio input connector wiring**

- ③ **Monitor connector** — If desired, connect a local monitor or other device to this 15HD female connector.
- ④ **BNC output connectors** — Connect a coaxial cable between the display (projector or monitor) and these rear panel BNC connectors.

For RGBHV (**separate H and V sync**) output, connect the cables to five BNCs.



RGBHV

For RGBS (**composite sync**), connect the cables to four BNCs.



RGBS



## Installation and Operation, cont'd

For RGsB (sync on green, SOG), connect the cables to three BNCs. Also select the SOG option on the front panel DIP switch (see item ⑥, *Dip switches* in this chapter).



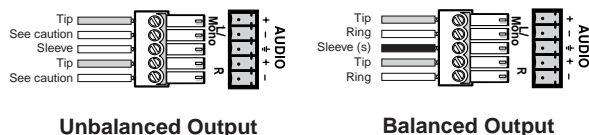
RGsB

- ⑤\* **Stereo audio output connector (RGB 192 only)** — Connect an audio device, such as powered speakers, to this 3.5mm, 5-pole captive screw connector for balanced or unbalanced stereo or mono audio output. Stereo or mono output is determined by a DIP switch setting on the front panel, see DIP switch 6 in item ⑥, *Dip switches*, below. When mono is selected, the right and left inputs are combined and placed on the left output connectors. Balanced or unbalanced outputs are available for mono and stereo.

Figure 2-5 shows how to wire the captive screw audio connector. The connector is included with the interface, but you must obtain the cable. Insert the wires into the appropriate openings in the captive screw connector. Tighten the screws on top to fasten the wires.

**CAUTION** *Wiring the audio incorrectly can damage the audio output circuits.*

*Connect the sleeve(s) to ground (GND).  
Connecting the sleeve(s) to a negative (-) terminal  
will damage audio output circuits.*



Unbalanced Output

Balanced Output

**Figure 2-5 — Wiring the audio output connector**

- ⑥ **DIP switches** — This bank of DIP switches is used to configure the interface. The switches control:
- Level
  - SOG (sync on green)
  - Serration pulses
  - DDSP
  - Monitor or no monitor (ID bit termination)
  - Mono or stereo audio (RGB 192 only, spare on RGB 190F)

**NOTE** *The default for all DIP switches is Off (down).*

### 1 — Level (and peaking)

The Level control alters the video output voltage to affect the brightness of the displayed image. Turn the switch on and off while viewing the displayed image to set the level that provides the best picture quality. If the interface receives a typical (0.7 volts p-p) analog computer video input, the output is as follows:

- On — 0.8 volts p-p with peaking.
- Off — 0.7 volts p-p.

### 2 — Sync on green

- On — The interface outputs a composite sync signal on top of the green video signal (SOG) via the G output connector (RGsB).
- Off — The interface outputs separate horizontal and vertical sync (on the H and V connectors) and composite sync (on the S connector) for RGBHV or RGBS.

### 3 — Serration pulses

Many LCD and DLP projectors and plasma displays will not display properly if serration pulses are present in the sync signal. Flagging or bending at the top of the video image is a sign that the serration pulses should be removed.

- On — The interface outputs serration pulses in the vertical sync interval.
- Off — The interface does not output serration pulses.

### 4 — DDSP

DDSP disables all sync processing. This feature may be necessary for digital display devices such as LCD, DLP (digital light processor), and plasma displays. Use this option if the image is not displayed properly after other options, such as serration pulse and video termination changes, have been tried.

- On — The interface uses DDSP, which does not process the sync signal.

**NOTE** *DDSP disables the horizontal and vertical centering controls.*

- Off — The interface performs sync processing operations.

5 — **No monitor (ID bit termination)** — This switch controls the input assigned to the local monitor output and ID bit termination.

**On** — ID bits 4 and 11 are tied to ground.

**Off** — ID bits 4 and 11 are unterminated.

6 — **Mono audio output (RGB 192 only, spare on RGB 190F)**

**On** — Monaural audio is output on the left channel only. When mono is selected, the right and left inputs are combined and placed on the left output connectors.

**Off** — Normal stereo output.

⑦ **Power connector** — Plug the external 12V power supply into this 2-pole captive screw connector. The power supply is included with the unit. Figure 2-6 shows how to wire the connector.

**NOTE** Do not tin the stripped power supply leads before installing the captive screw connector. Tinned wires are not as secure in the captive screw connectors and could pull out.

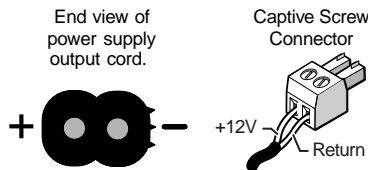


Figure 2-6 — Power connector wiring

**WARNING** The two power cord wires must be kept separate while the power supply is plugged in. Remove power before continuing.

To verify the polarity before connection, check the no-load power supply output with a voltmeter.

Alternatively, an Extron P/S 100 Universal 12VDC Power Supply can power up to six RGB 190F or RGB 192 interfaces using only one AC power connector.

⑧ **Power indicator** —

**Amber** — Indicates power is applied.

**Green** — Indicates that power is applied and a sync signal is present on the input.

⑨ **H(orizontal) Shift** — While viewing the displayed image, rotate this control to move the image to the right or left on the screen.

**NOTE** DDSP disables the interface's Horizontal Shift control.

To use the display's centering controls rather than the interface's controls, set the DDSP DIP switch to On.

## Operation and Troubleshooting

Connect the power cords and turn on the displays (projectors or monitors), audio output devices (sound system) (**RGB 192 only**), the interface, and the input device (computer). The image should appear on screen, and sound should be audible (**RGB 192 only**). If not, ensure that all devices are plugged in and receiving power. Check the cabling and switch settings, and make adjustments as needed.

### If the image does not appear or there is no sound

1. Ensure that all devices are plugged in.
2. Make sure that each device is receiving power. The interface's front panel LED lights green if the interface is receiving power and an active sync signal.
3. Check the cabling and the audio connector wiring and grounding, and make adjustments as needed.
4. For digital display devices (including LCD, DLP and plasma devices), try turning the DDSP DIP switch (switch 4) On (up) or Off (down) on the front panel.
5. To test the system setup and output, substitute a video test generator for the computer input. Unplug the input and output devices' and the interface's power cords, replace the video source with a VTG, then reconnect power cords to restore AC power.
6. Call the Extron S<sup>3</sup> Sales & Technical Support Hotline if needed.

### If the image is not displayed correctly

1. If the output image looks too green, the sync on green (SOG) DIP switch (switch 2) may be set to On (up), and the display device may not be configured to handle SOG signals. Set the switch to Off (down).
2. If the picture bends or flags at the top of the screen, set the serration pulse DIP switch (switch 3) to Off (down).
3. For a display device that experiences intermittent glitches, try turning DDSP On (up) or Off (down) using DIP switch 1 on the front panel.
4. If the picture hangs off the edge of the screen, adjust the Horizontal Shift control.

## Installation and Operation, cont'd

---

5. If the edges of the image seem to exceed their boundaries or if thin lines and sharp edges look thick and fuzzy, try changing the Level DIP switch (switch 1) to On (up). If the image is too bright, turn the Level switch to Off (down).
6. If the image still does not display correctly, call the Extron S<sup>3</sup> Sales & Technical Support Hotline.

### If the interface does not respond to controls

If the picture does not move on screen when the horizontal shift control is rotated, DDSP is in use. Set the DDSP DIP switch (switch 4) on the front panel to Off (down).



**RGB 190F, RGB 192**

# Appendix A

## Reference Information

Specifications

Included Parts

Optional Accessories

Cables

## Reference Information

### Specifications

#### Video

Gain .....	Unity (0.7V), (0.80V) 15% with 3dB peaking
Bandwidth .....	300 MHz (-3dB)
Rise time .....	1.5 ns

#### Video input

Number/signal type .....	1 analog RGBHV, RGBS, RGsB
Connectors .....	(1) 15-pin HD female
Nominal level .....	0.7V p-p for RGB
Minimum/maximum levels .....	Analog: 0.3 to 1.45 volts p-p with no offset at unity gain
Impedance .....	75 ohms
Horizontal frequency .....	15 kHz to 130 kHz
Vertical frequency .....	30 Hz to 170 Hz
Return loss .....	-41dB @ 5 MHz
Maximum DC offset .....	4V

#### Video output

Number/signal type .....	1 analog RGBHV, RGBS, RGsB
Connectors .....	6 BNC female (1) 15-pin HD female (buffered local monitor output)
Nominal level .....	0.7V p-p for RGB
Minimum/maximum levels .....	Analog: 0.7V to 0.8V p-p (DIP switch selectable) w/peaking
Impedance .....	75 ohms
Return loss .....	-45dB @ 5 MHz
DC offset .....	±5mV maximum with input at 0 offset

#### Sync

Input type .....	RGBHV, RGBS, RGsB (accepts RGsB but does not strip sync from video)
Output type .....	RGBHV at all times RGBS at all times RGsB (switch-selectable)
Input level .....	2V p-p to 5.5V p-p with ±0.2VDC offset max.
Output level .....	4V to 5V p-p
Input impedance .....	510 ohms

Output impedance .....	75 ohms	
Max. propagation delay .....	57 ns	
Max. rise/fall time .....	4 ns	
Polarity .....	RGBHV .....	when RGBHV is input, polarity follows input; otherwise negative
RGBS, RGsB .....	negative	

#### Audio — RGB 192 only

Gain .....	Unbalanced stereo or mono 0dB, balanced +6dB
Frequency response .....	20 Hz to 20 kHz, ± 0.05dB
THD + Noise .....	0.03% @ 1 kHz, 0.3% @ 20 kHz at rated maximum output drive
S/N .....	>90dB at rated maximum output (14dBm), balanced
Crosstalk .....	<-90dB @ 1 kHz
Stereo channel separation .....	>90dB @ 1 kHz to 20 kHz

#### Audio input — RGB 192 only

Number/signal type .....	1 stereo, unbalanced, or mono
Connectors .....	(1) 3.5 mm stereo jack (2 channel), unbalanced; tip (R), ring (L), sleeve (ground)
Impedance .....	>10 kohms, unbalanced, DC coupled
Maximum level .....	+9.5dBu at stated %THD+N

#### Audio output — RGB 192 only

Number/signal type .....	1 buffered, stereo (2 channel) or mono, balanced or unbalanced
Connectors .....	(1) 3.5 mm captive screw connector, 5 pole
Impedance .....	50 ohms unbalanced, 100 ohms balanced
Gain error .....	±0.1dB channel to channel
Maximum level (Hi-Z) .....	>+14dBm, balanced at stated %THD+N
Maximum level (600 ohm) .....	>+9dBm, balanced at 1% THD+N

#### General

Power .....	100VAC to 240VAC, 50/60 Hz, 3.2 watts, external, autoswitchable; to 12VDC, 1.0 A power supply (included). Product requires 0.35 A.
-------------	--

## Reference Information, cont'd

Temperature/humidity .....	Storage -40° to +158°F (-40° to +70°C) / 10% to 90%, non-condensing Operating +32° to +122°F (0° to +50°C) / 10% to 90%, non-condensing
Rack mount .....	No, but furniture mountable with optional mounting brackets
Enclosure type .....	Metal
Enclosure dimensions .....	1.0" H x 5.7" W x 4.5" D 2.54 cm H x 14.48 cm W x 11.43 cm D (Depth excludes connectors.)
Product weight .....	3.5 lbs (1.6 kg)
Shipping weight .....	4 lbs (1.8 kg)
Vibration .....	ISTA/NSTA 1A in carton (International Safe Transit Association)
Listings .....	UL, CUL
Compliances .....	CE, FCC Class A, VCCI, AS/NZS, ICES
MTBF .....	30,000 hours
Warranty .....	3 years parts and labor

**NOTE** Specifications are subject to change without notice.

### Included Parts

These items are included in each order for an RGB 190F or an RGB 192:

Interface	Part number
RGB 190FV	60-486-61
VGA M6' MHR (Molded)	26-238-01
RGB 190FM	60-486-62
Mac Adapter 15-HDM Kit with audio	70-156-01
RGB 190FS	60-486-63
13W3 Adapter 15-HDM Kit with audio	70-157-01
RGB 192V	60-486-01
VGAM 6' MHRA 15-pin HD Cable	26-490-02
RGB 192S	60-486-02
13W3 Adapter 15-HDM Kit with audio	70-157-01

Included items	Part number
3.5 mm, 5-pole captive screw connector	10-319-10
RGB 190F & RGB 192 User's Manual	
Under-desk mounting bracket kit	70-077-01
Universal 12VDC external power supply	
Rubber feet	
IEC power cord	
Tweaker	

### Optional Accessories

Accessory	Part number
Through-desk mounting bracket kit	70-077-02
3.5 mm stereo plug	10-306-01
VGAM 3' MHRA 15-pin HD cable	26-490-01
VGAM 6' MHRA 15-pin HD cable	26-490-02
VGAM 12' MHRA 15-pin HD cable	26-490-03
Mac Adapter 15-HDM Kit with audio	70-156-01
13W3 Adapter 15-HDM Kit with audio	70-157-01
PS 100 12VDC, 2A Multi Unit Power Supply	60-357-01
Installation cable (bulk 14-conductor, non-plenum)	22-120-02
Installation cable (bulk 17-conductor, plenum)	22-111-03

### Cables

BNC cable	Part number
BNC-5 3' HR	26-260-15
BNC-5 6' HR	26-260-01
BNC-5 12' HR	26-260-02
BNC-5 25' HR	26-260-03
BNC-5 50' HR	26-260-04

## Reference Information, cont'd

---

<b>BNC cable (cont'd)</b>	<b>Part number</b>
BNC-5 75' HR	26-260-16
BNC-5 100' HR	26-260-05
BNC-5 3' HRP	26-378-01
BNC-5 6' HRP	26-378-02
BNC-5 12' HRP	26-378-03
BNC-5 25' HRP	26-378-04
BNC-5 50' HRP	26-378-05
BNC-5 75' HRP	26-378-06
BNC-5 100' HRP	26-378-07

---

*Page intentionally left blank*

*Page intentionally left blank*