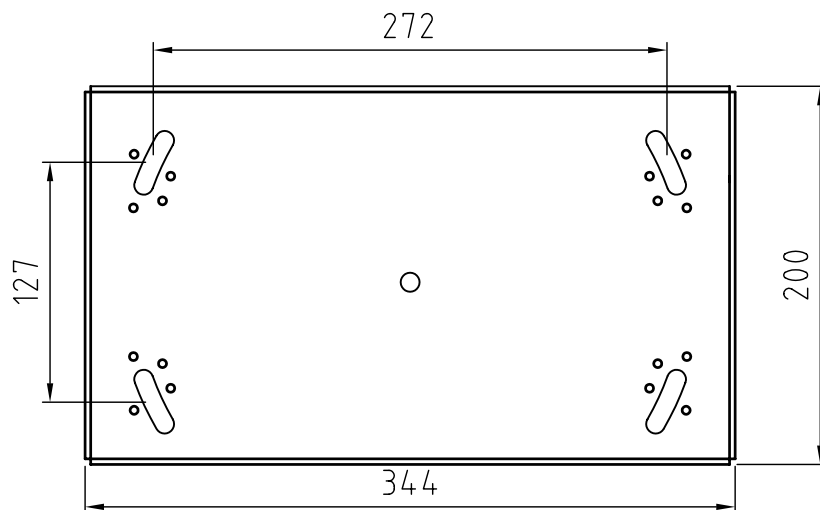
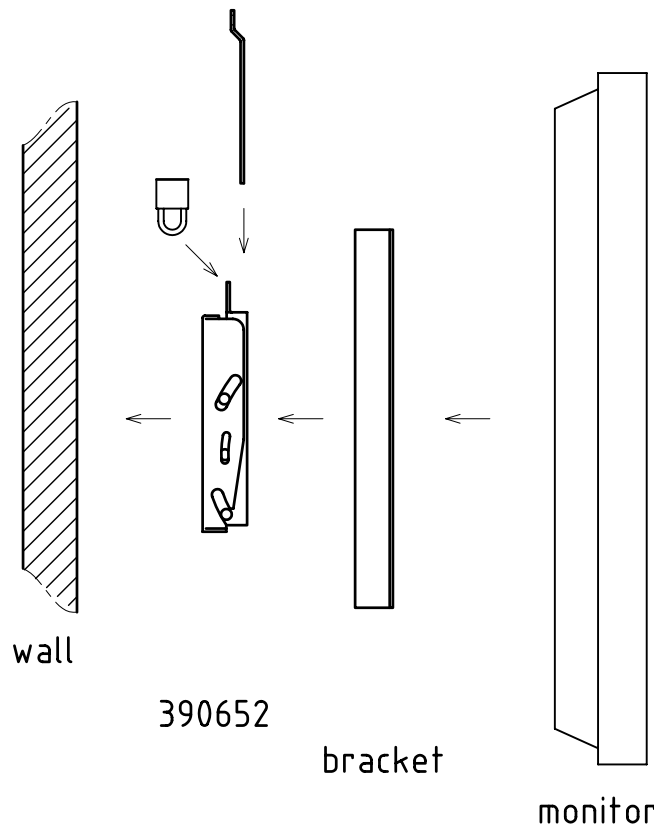


390652



© COPYRIGHT AUDIPACK

This print and the information shown thereon, is the property of AUDIPACK.

It may not be delivered to others nor reproduced for general circulation without the written consent of the AUDIPACK engineering department



AUDIPACK
Industriestraat 2
2751 GT Moerkapelle
the Netherlands

tel. 079-5931671
fax. 079-5933115

www.Audipack.com

Verstelbare muurbeugel anti diefstal

390652