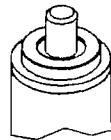
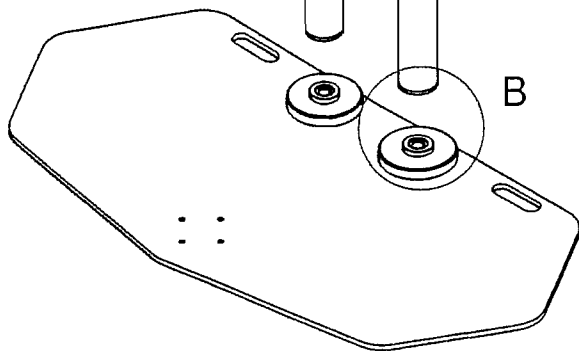
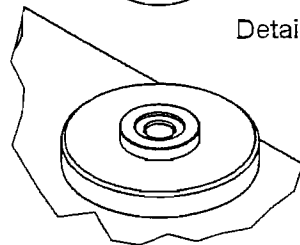


Detail A



Detail B



© COPYRIGHT AUDIPACK  
 This print and the information  
 shown thereon, is the property of  
 AUDIPACK.  
 It may not be delivered to others  
 nor reproduced for general  
 circulation without the written  
 consent of the AUDIPACK  
 engineering department.



**AUDIPACK**  
 Industriestraat 2-4  
 2751 GT Moerkapelle  
 the Netherlands

Tel: +31(0)795931671  
 Fax: +31(0)795933115  
 www.audipack.com

INSTALLATION GUIDE

390630